

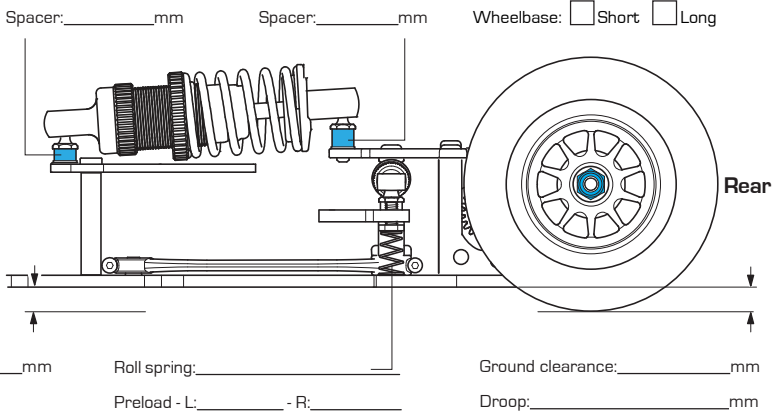
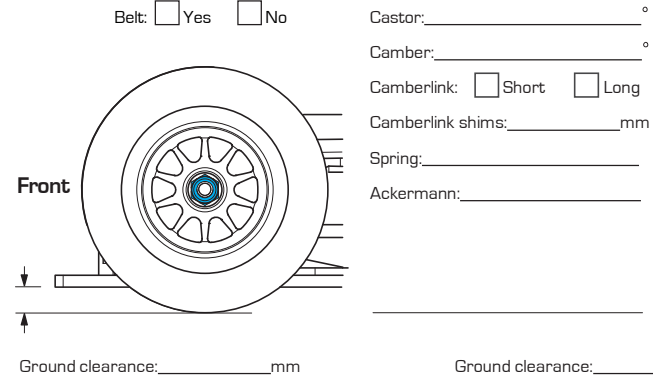
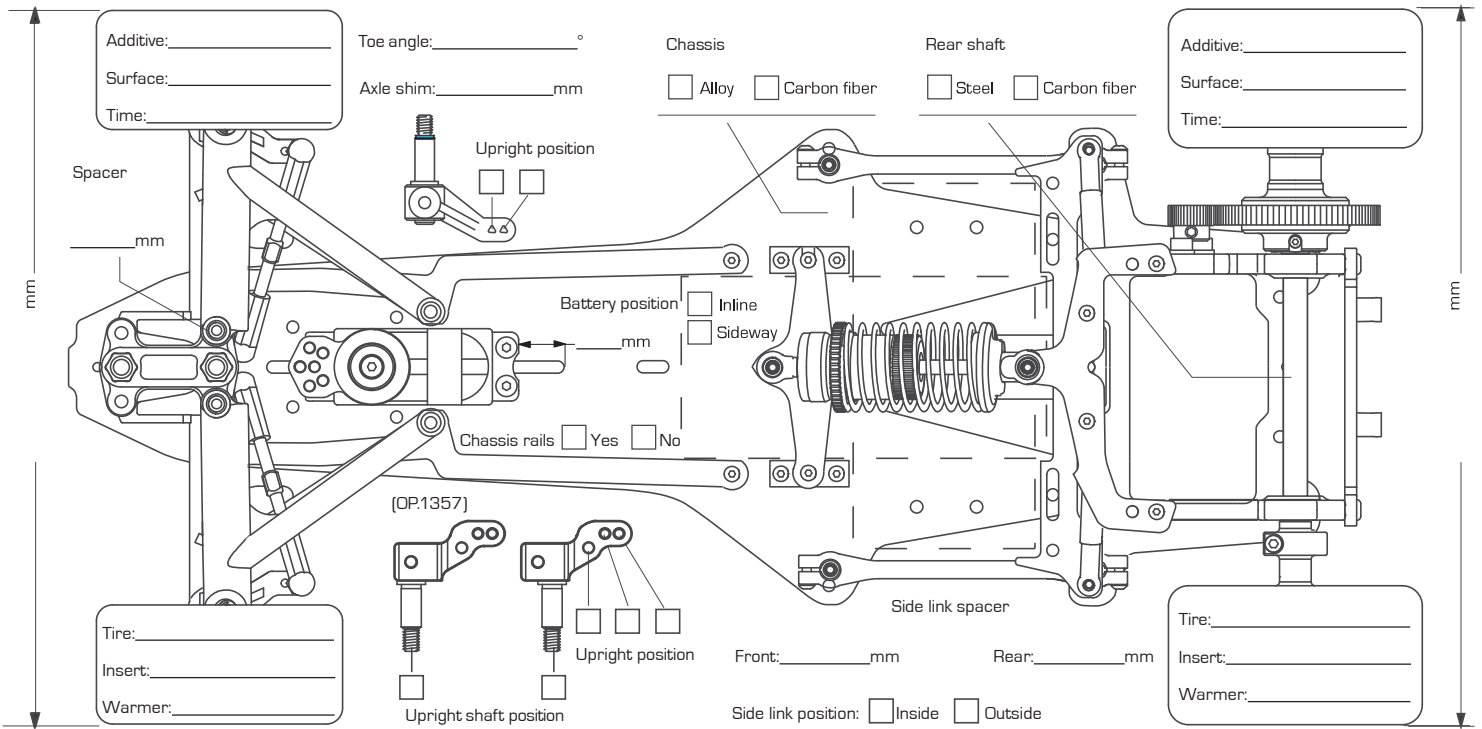


Name _____

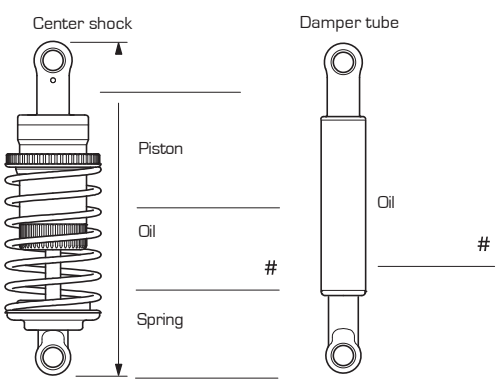
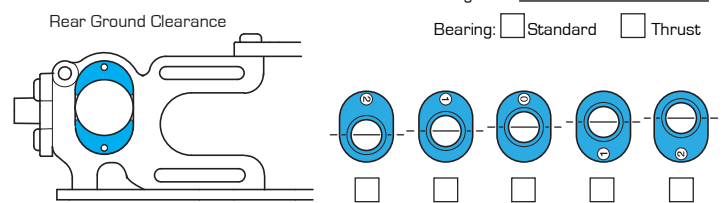
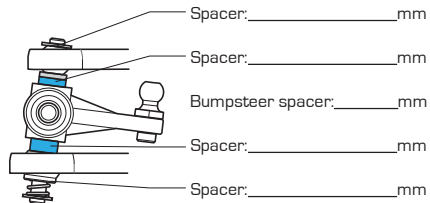
Date _____

Event _____

Composition Asphalt Indoor Surface Smooth Medium Bumpy Layout Tight Mixed Open Humidity _____
 Carpet Outdoor Traction Low Medium High Track temp. _____ Air temp. _____



IFS Front
 Droop: _____ mm
 Damper oil: _____ cst
 Spring: Hard Soft
 Shock tower hole:
 Bottom Middle Top



Motor: _____
 Timing: _____
 Spur/Pinion: _____
 ESC: _____
 ESC Setting: _____
 Battery: _____
 Body: _____
 Front wing: _____
 Front wing setting: _____
 Rear wing: _____
 Rear wing height: _____
 Rear wing setting: _____

Notes