



# SET UP

# FIIO



RACE		DATE	
TRACK		QUALIFYING POSITION	
DRIVER		QUALIFYING TIME	
SURFACE: ASPHALT <input type="checkbox"/> CARPET <input type="checkbox"/>		STARTING POSITION	
TRACTION: LOW <input type="checkbox"/> MEDIUM <input type="checkbox"/> HIGH <input type="checkbox"/>		FINAL POSITION	
TRACK TEMP		AIR TEMP	

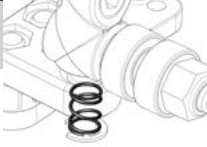
**FRONT SPRINGS (lbs)**

18

22

26

Other (brand/type): /



**FRONT RIDE HEIGHT SPACERS**

**SPACERS**

mm



**CENTRAL SHOCK**

Shocktower position



**CENTER SPRING**

Gray  White

Black  Yellow

Green  Orange

Other (brand/type): /

**SHOCK OIL** cst

**PISTON HOLES**



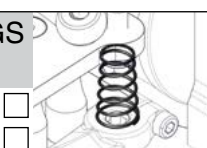
**SIDE SPRINGS (lbs)**

4.5  6.0

5.0  6.5

5.5  7.0

Other (brand/type): /



**CENTRAL TUBE**



**OIL** cst

**REAR AXLE INSERT**


0/0  0/25

0/5  0/30

0/10  0/35

0/15  0/40

0/20



**REMARKS**

## FRONT

TRACK WIDTH: STANDARD  WIDE

ROLL CENTER AND WISHBONE ANGLE

Shims Rear mm

Shims Front mm

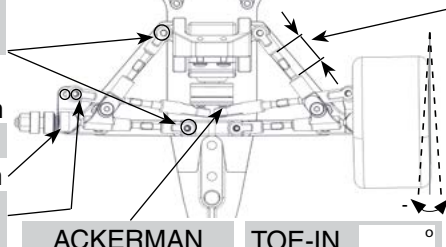
OFFSET

Shims mm

STEERING ROD POSITION

ACKERMAN

TOE-IN



**CASTER (link length)**

Standard	Wide
15.7 mm 0° <input type="checkbox"/>	14 mm
15 mm 3° <input type="checkbox"/>	13.4 mm
14.4 mm 6° <input type="checkbox"/>	12.8 mm
13.9 mm 9° <input type="checkbox"/>	12.2 mm

**CAMBER**

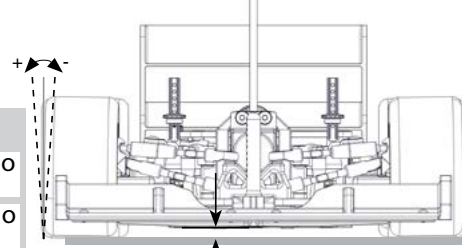
R  °

L  °

RIDE HEIGHT WITH TYRE Ø

mm

mm



**FRONT TIRES**

Type: Rubber  Foam

Brand

Hardness

Diameter mm

Additive

Additive time min

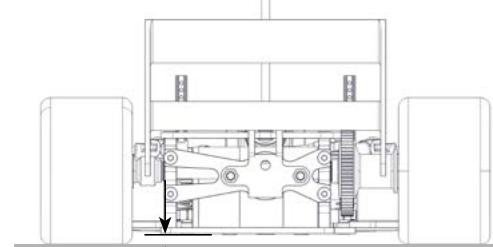
Treated surface %

## REAR

**RIDE HEIGHT WITH TYRE Ø**

mm

mm



**REAR TIRES**

Type: Rubber  Foam

Brand

Hardness

Diameter mm

Additive

Additive time min

Treated surface %

**RATIO CONFIGURATION**

**SPUR GEAR**

Pitch Teeth

**PINION**

Pitch Teeth

Final drive ratio

Rollout mm

**AERODYNAMIC CONFIGURATION**

**BODY**

Brand Type

**FRONT WING**

Brand Type

**REAR WING**

Brand Type

## ELECTRONICS

**BATTERY: STANDARD  SHORTY**

Brand Capacity

**MOTOR**

Brand Type Timing

**ESC**

Brand Type Configuration